

**Features**

- 15" (381) x 12<sup>4</sup>/<sub>64</sub>" (321) x 7" (178) undermount bar or entertainment sink.
- Single compartment.
- 16 gauge 304 stainless steel.
- Center drain location.
- Superior undercoating for added sound insulation.
- 3mm sound deadening pads on all 4 sink sides and bottom. Up to 3 times heavier than competitive models.
- Fits 18" base cabinet width.

**Components**

Product includes:  
Cutout Template  
Installation Hardware  
Installation Instructions

**Options**

TSGM15131 Stainless Steel Bottom Sink Grid  
TCBM711 Bamboo Cutting Board  
2210R Covered Sink Strainer or  
4010 Covered Disposer Strainer

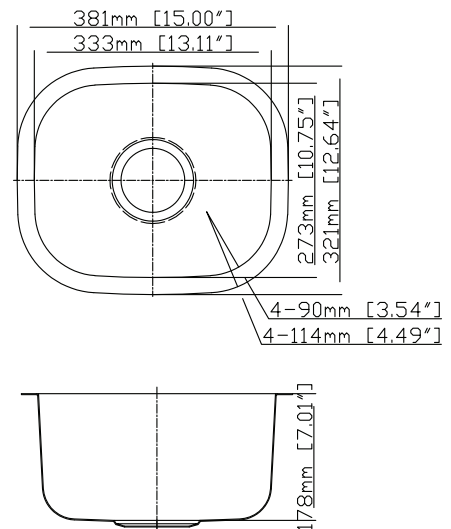
**Warranty**

- Lifetime Limited Warranty



**Specified Model**

Model	EPU31-15
Overall Dimensions	L15" x W12 <sup>4</sup> / <sub>64</sub> " x D7" 381 x 321 x 178
Bowl Dimensions	L13 <sup>7</sup> / <sub>64</sub> " x W10 <sup>3</sup> / <sub>4</sub> " x D7" 333 x 273 x 178
Drain hole:	3 <sup>5</sup> / <sub>8</sub> " (92mm)
Shipping Weight	15 lbs.
Material	16 gauge 304 stainless steel
Installation	under counter mounted
Required	template, included



**Codes/Standards**

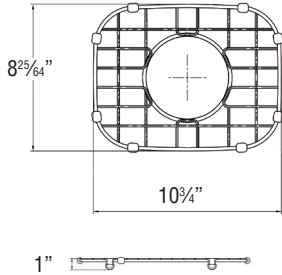
ASME A112.19.3/CSA B45.4

**Notes**

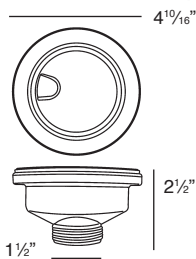
Install this product according to the installation instructions.

Optional Accessories

TSGM15131 Bottom Sink Grid

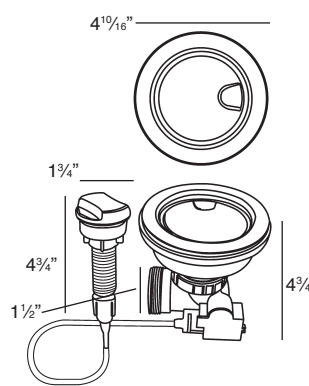


2210R Covered Flip Top Sink Strainer.



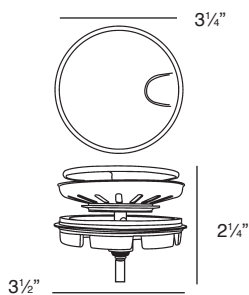
Water drains easily when cover is in place. Cover flips up with easy touch. Cover makes a flat surface at the sink bottom that prevents food waste from getting into the strainer basket for easy sink clean up. Polypropylene housing. Fits standard 3<sup>1</sup>/<sub>2</sub>" opening.

2310 Remote Covered Flip Top Sink Strainer.



Turn the remote knob to open and close drain. Water drains easily when cover is in place. Cover flips up with easy touch. Cover makes a flat surface at the sink bottom that prevents food waste from getting into the strainer basket for easy sink clean up. Polypropylene housing. Fits standard 3<sup>1</sup>/<sub>2</sub>" opening. 1<sup>3</sup>/<sub>8</sub>" hole required in countertop for remote installation. Remote cable 25<sup>1</sup>/<sub>2</sub>" L.

4010 Covered Flip Top Disposer Strainer.



Water drains easily when cover is in place. Cover flips up with easy touch. Polypropylene housing. Top mount installation for 3<sup>1</sup>/<sub>2</sub>" opening.